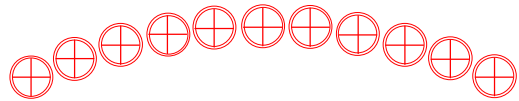
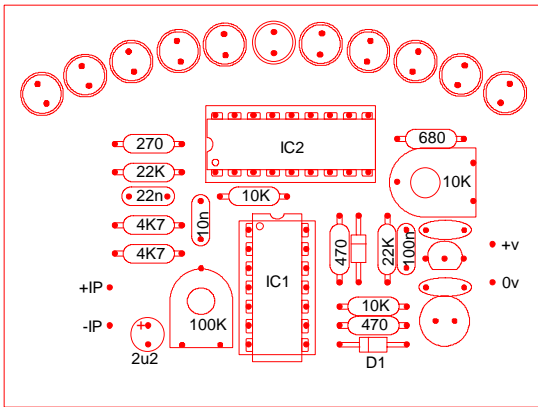
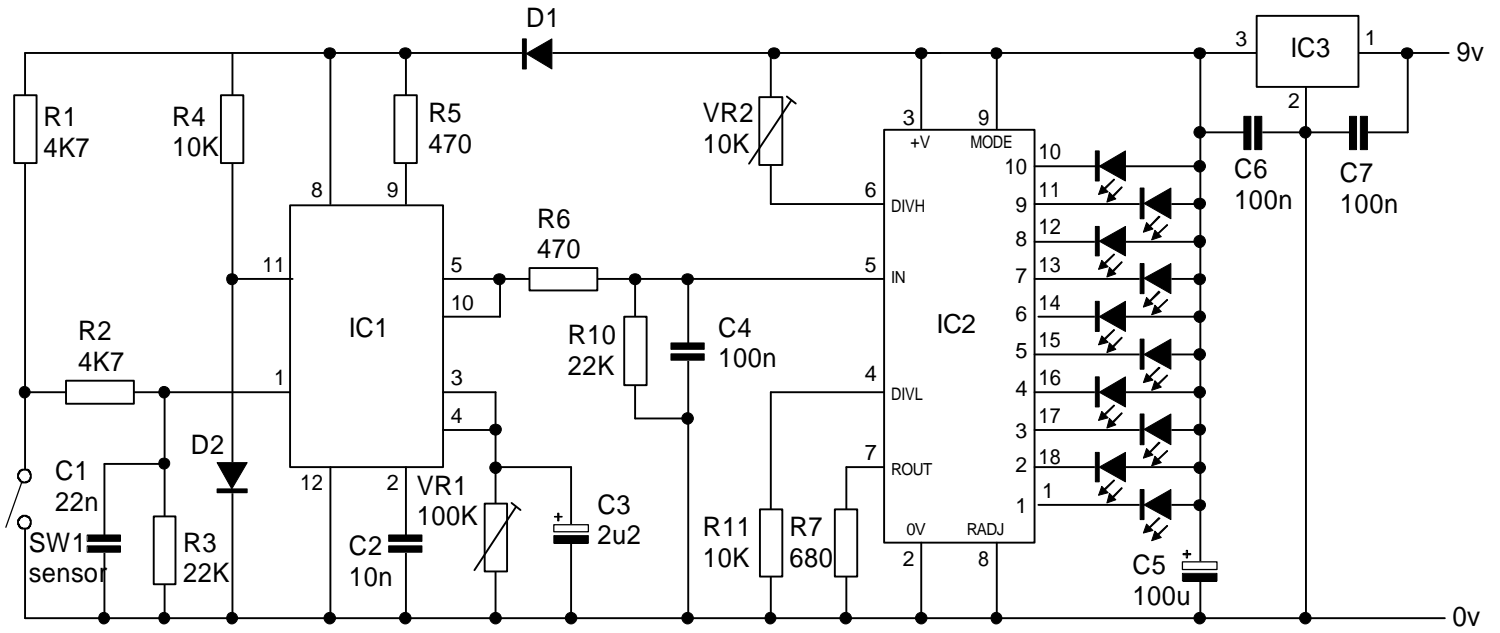
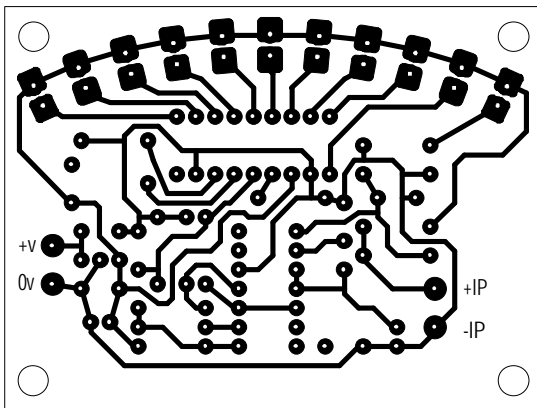


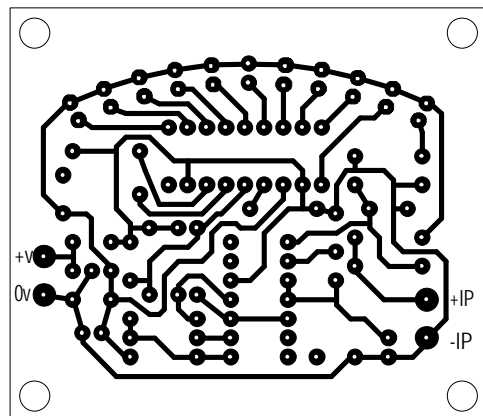
REV COUNTER



Template for 5mm LED's



PCB for 5mm LED's



This version uses 3mm LED's

By Phil Townshend